

Bedding Supports

23220.0450

Product Description

The bedding support is used to **support** additional clamping points on components. The benefits of the bedding support are:

- provides additional support without distortion
- helps to eliminate tool vibration
- compact, low construction
- supports ribs, beads and shackles to reinforce clamped components
- distortion-free support of raw parts
- easy handling - clamping outside of workpiece is also possible by means of adjustable clamping levers.



Material

Handle

- Zinc die-cast

Clamp

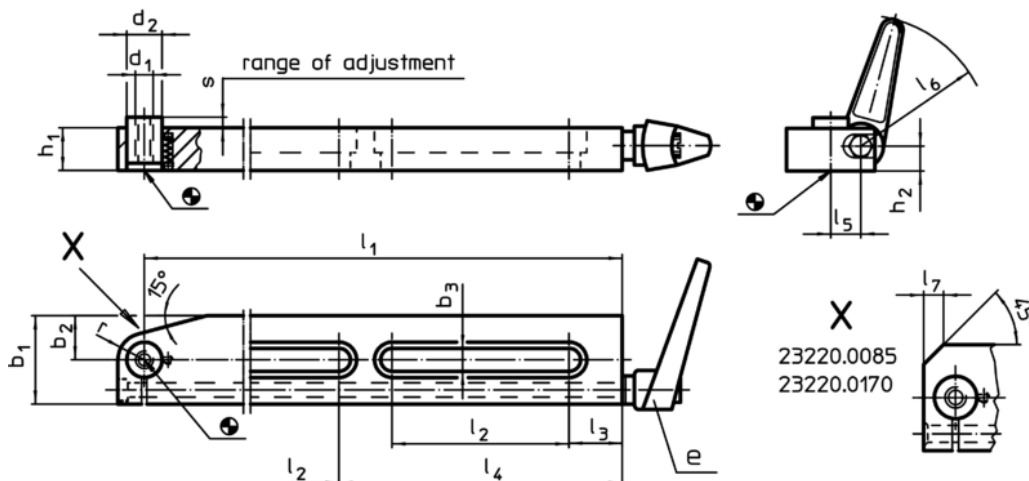
- Steel, case-hardened, blackened, ground

Operation

1. By releasing the clamping lever the support bolt contacts the workpiece with a slight spring load.
2. By clamping the lever the support bolt will be locked in position.
3. After taking out the workpiece, release the clamping lever; then reset support bolt and clamp via lever.

The supporting height can be adjusted by screwing threaded pins or supports into the female thread of the support bolt.

Drawing



Sizes 8,5 x 75, 13 x 150 and 17 x 170 have only one slot.

Order information

Dimensions														Stroke s	Load capacity max.	e	Art. No.	
b ₃	l ₁	l ₂	l ₃	l ₄	l ₅	l ₆	b ₁	b ₂	d ₁	d ₂	h ₁	h ₂	r					[mm]
25	387	110	30	200	30	89	85	40	M20	32	40	25	24	11	10	24420.0210	7300	23220.0450

Application example

