

## Bedding Supports

23220.0170



### Product Description

The bedding support is used to **support** additional clamping points on components. The benefits of the bedding support are:

- provides additional support without distortion
- helps to eliminate tool vibration
- compact, low construction
- supports ribs, beads and shackles to reinforce clamped components
- distortion-free support of raw parts
- easy handling - clamping outside of workpiece is also possible by means of adjustable clamping levers.

### Material

#### Handle

- Zinc die-cast

#### Clamp

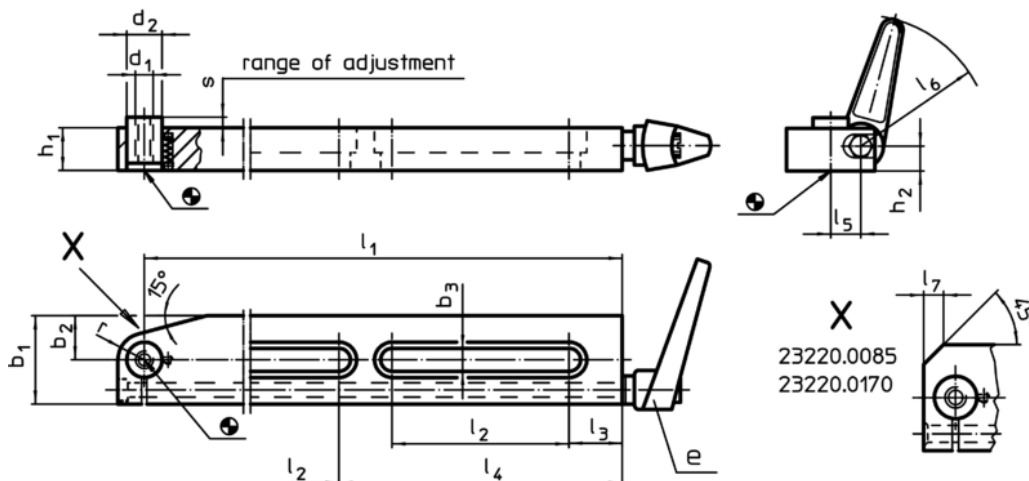
- Steel, case-hardened, blackened, ground

### Operation

1. By releasing the clamping lever the support bolt contacts the workpiece with a slight spring load.
2. By clamping the lever the support bolt will be locked in position.
3. After taking out the workpiece, release the clamping lever; then reset support bolt and clamp via lever.


The supporting height can be adjusted by screwing threaded pins or supports into the female thread of the support bolt.

### Drawing



Sizes 8,5 x 75, 13 x 150 and 17 x 170 have only one slot.

### Order information

Dimensions													Stroke s	Load capacity max.	e		Art. No.
b <sub>3</sub>	l <sub>1</sub>	l <sub>2</sub>	l <sub>3</sub>	l <sub>5</sub>	l <sub>6</sub>	l <sub>7</sub>	b <sub>1</sub>	b <sub>2</sub>	d <sub>1</sub>	d <sub>2</sub>	h <sub>1</sub>	h <sub>2</sub>					
17	170	100	25	27	108	11	60	20	M16	26	34	21,5	11	5	24400.0611	2534	23220.0170

Application example

