

Bedding Supports

23220.0150

Product Description



The bedding support is used to **support** additional clamping points on components. The benefits of the bedding support are:

- provides additional support without distortion
- helps to eliminate tool vibration
- compact, low construction
- supports ribs, beads and shackles to reinforce clamped components
- distortion-free support of raw parts
- easy handling - clamping outside of workpiece is also possible by means of adjustable clamping levers.

Material

Handle

- Zinc die-cast

Clamp

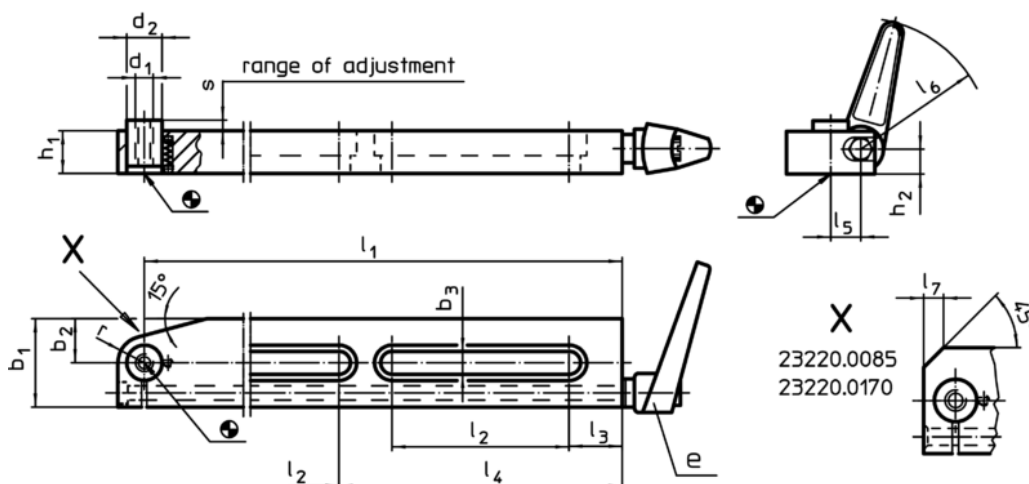
- Steel, case-hardened, blackened, ground

Operation

1. By releasing the clamping lever the support bolt contacts the workpiece with a slight spring load.
2. By clamping the lever the support bolt will be locked in position.
3. After taking out the workpiece, release the clamping lever; then reset support bolt and clamp via lever.


The supporting height can be adjusted by screwing threaded pins or supports into the female thread of the support bolt.

Drawing



Sizes 8,5 x 75, 13 x 150 and 17 x 170 have only one slot.

Order information

Dimensions													Stroke s	Load capacity max.	e		Art. No.
b ₃	l ₁	l ₂	l ₃	l ₅	l ₆	b ₁	b ₂	d ₁	d ₂	h ₁	h ₂	r					
13	150	90	20	17	74	50	25	M10	20	24	14	15	6	2,5	24400.0411	1159	23220.0150

Application example

