

Holding Plates• for down-hold clamps

23210.0760

Product Description

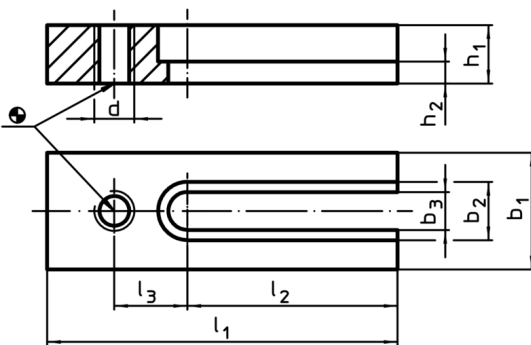
By using the holding plates, the down-hold clamps can also be placed in any desired position across the T-slots.

Material


- Heat-treated steel, tempered, blackened



Drawing



Order information

b ₁	b ₂	b ₃	d	Dimensions						For down-hold clamps	 [g]	Art. No.
				h ₁ -0,4 [mm]	h ₂	l ₁	l ₂	l ₃	[mm]			
60	26	17	M16	30	13	140	80	30	M16	1456	23210.0760	

Application example

