

Down-Hold Clamps with cranked clamping lever

23210.0346



Product Description

The quick-acting clamping element simultaneously presses the workpieces towards both, the stops and fixture plate. The low profile construction enables the entire surface to be machined. In conjunction with cylindrical stops EH 23280., a special fixture can be replaced.

Material

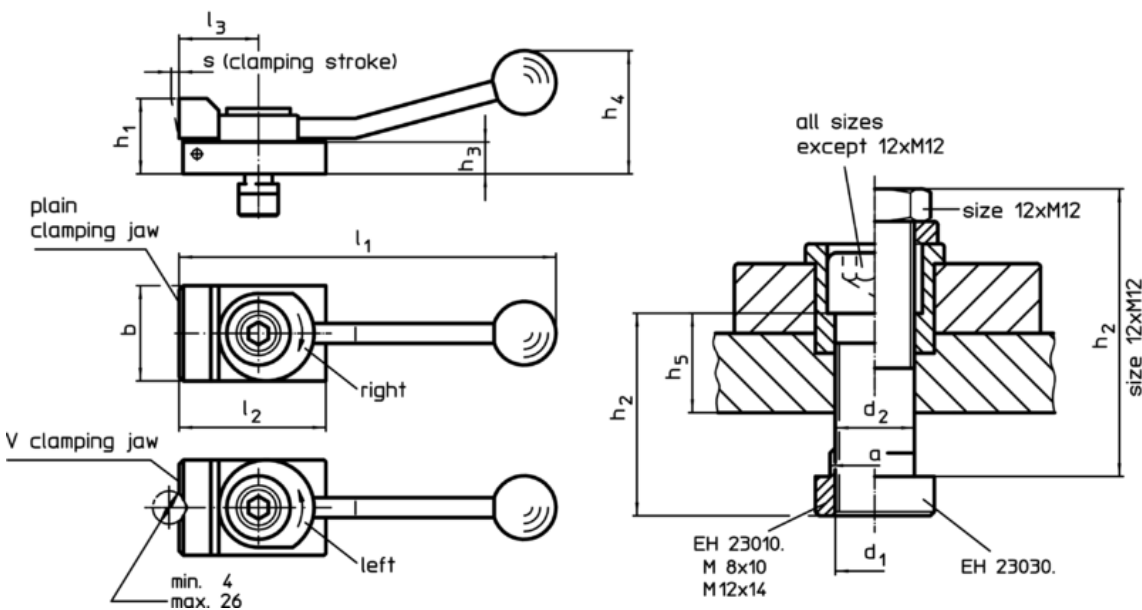
- Steel, case-hardened, blackened

More information

Further products

- Stops, cylindrical

Drawing



Order information

T-slot size	Dimensions														Clamping force horizontal max. [kN]	[g]	Art. No.
	d ₁	a	b	d ₂	h ₁	h ₂	h ₃	h ₄	h ₅	l ₁	l ₂	l ₃	s				
[mm]	[mm]																
with V-clamping jaw, clamping to the left																	
14	M12	13,6	48	12,5	38	40	16	62	19,1	190	72	40	4	7	841	23210.0346	

Application example

