

Down-Hold Clamps with cranked clamping lever

23210.0342

Product Description

The quick-acting clamping element simultaneously presses the workpieces towards both, the stops and fixture plate. The low profile construction enables the entire surface to be machined. In conjunction with cylindrical stops EH 23280., a special fixture can be replaced.



Material

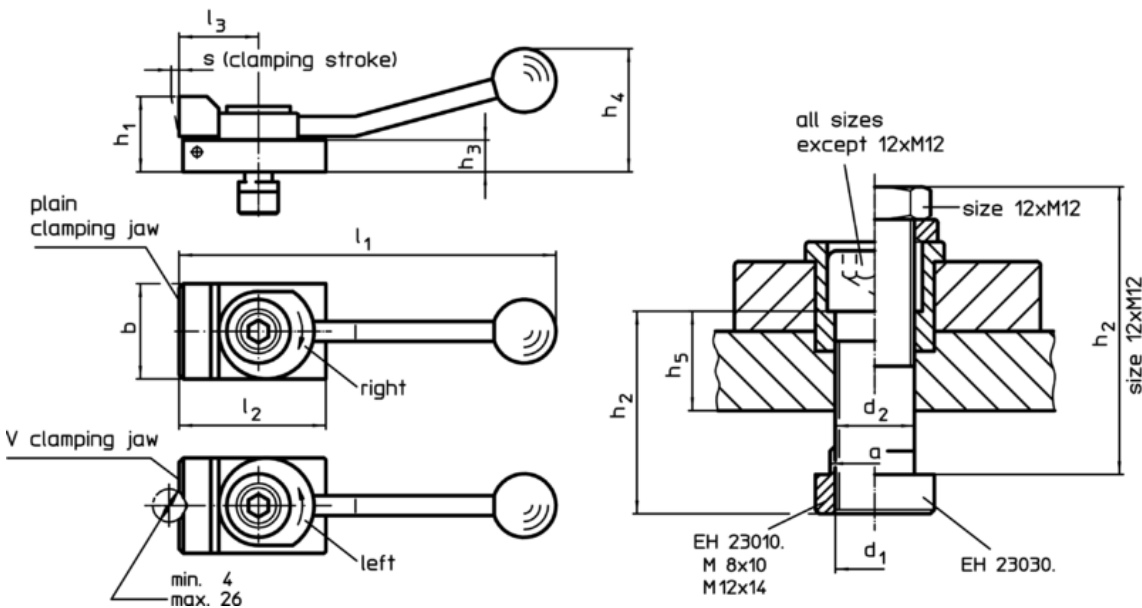
- Steel, case-hardened, blackened

More information

Further products

- Stops, cylindrical

Drawing



Order information

T-slot size	Dimensions														Clamping force horizontal max. [kN]	Art. No.	
	d ₁	a	b	d ₂	h ₁	h ₂	h ₃	h ₄	h ₅	l ₁	l ₂	l ₃	s	[g]			
[mm]	[mm]														[kN]	[g]	
with V-clamping jaw, clamping to the right																	
14	M12	13,6	48	12,5	38	40	16	62	19,1	190	72	40	4	7	838	23210.0342	

Application example

