

## Down-Hold Clamps with cranked clamping lever

23210.0341

### Product Description

The quick-acting clamping element simultaneously presses the workpieces towards both, the stops and fixture plate. The low profile construction enables the entire surface to be machined. In conjunction with cylindrical stops EH 23280., a special fixture can be replaced.



### Material

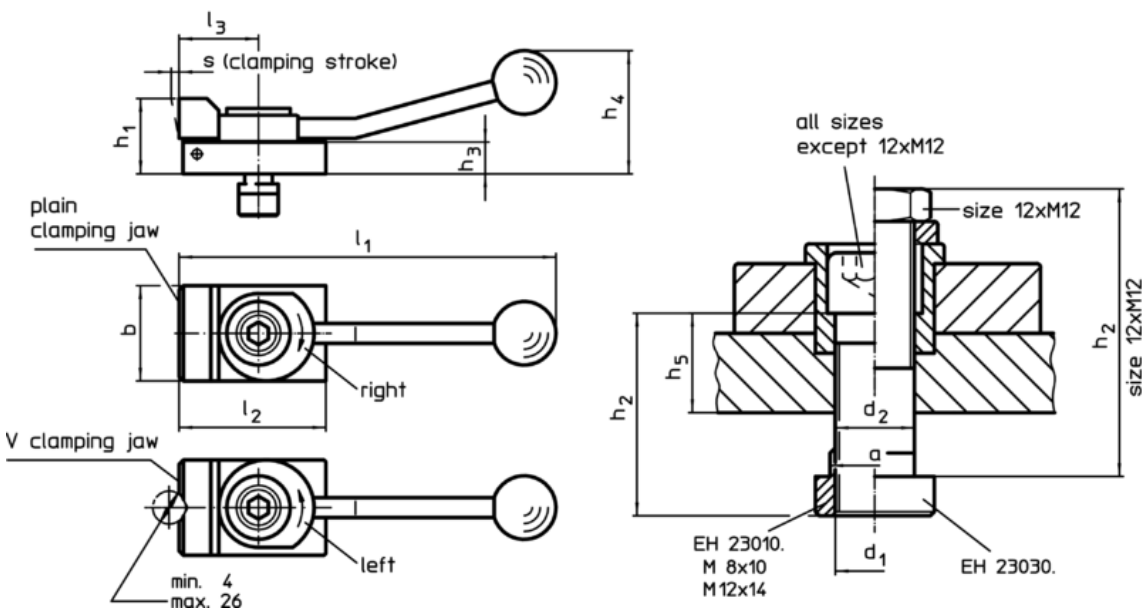
- Steel, case-hardened, blackened

### More information

### Further products

- Stops, cylindrical

### Drawing



### Order information

T-slot size	Dimensions														Clamping force horizontal max. [kN]	[g]	Art. No.
	d <sub>1</sub>	a	b	d <sub>2</sub>	h <sub>1</sub>	h <sub>2</sub>	h <sub>3</sub>	h <sub>4</sub>	h <sub>5</sub>	l <sub>1</sub>	l <sub>2</sub>	l <sub>3</sub>	s				
[mm]	[mm]																
with flat clamping jaw, clamping to the right																	
14	M12	13,6	48	12,5	38	40	16	62	19,1	190	72	40	4	7	845	23210.0341	

### Application example

