

Down-Hold Clamps with cranked clamping lever

23210.0322

Product Description

The quick-acting clamping element simultaneously presses the workpieces towards both, the stops and fixture plate. The low profile construction enables the entire surface to be machined. In conjunction with cylindrical stops EH 23280., a special fixture can be replaced.



Material

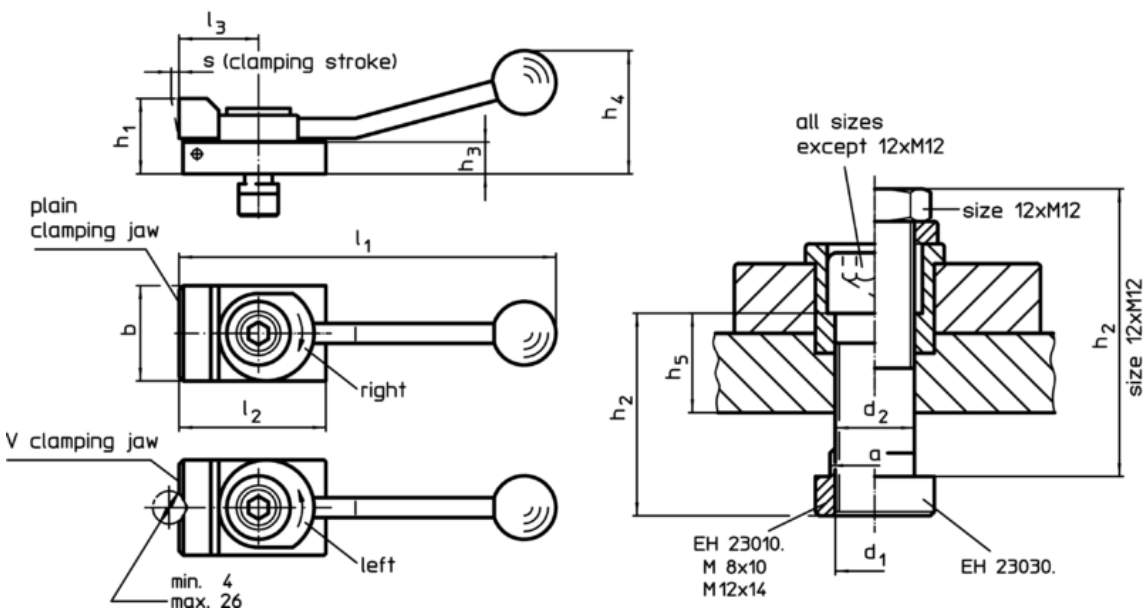
- Steel, case-hardened, blackened

More information

Further products

- Stops, cylindrical

Drawing



Order information

| T-slot size | Dimensions | | | | | | | | | | | | Clamping force horizontal max. | Art. No. | |
|--|----------------|------|----|----------------|----------------|----------------|----------------|----------------|----------------|----------------|----------------|---|--------------------------------|----------|------------|
| | d ₁ | a | b | d ₂ | h ₁ | h ₂ | h ₃ | h ₄ | l ₁ | l ₂ | l ₃ | s | | | [kN] |
| [mm] | [mm] | | | | | | | | | | | | | | |
| with V-clamping jaw, clamping to the right | | | | | | | | | | | | | | | |
| 12 | M12 | 11,6 | 48 | 12,5 | 38 | 63 | 16 | 62 | 190 | 72 | 40 | 4 | 7 | 893 | 23210.0322 |

Application example

