

Down-Hold Clamps with cranked clamping lever

23210.0321

Product Description

The quick-acting clamping element simultaneously presses the workpieces towards both, the stops and fixture plate. The low profile construction enables the entire surface to be machined. In conjunction with cylindrical stops EH 23280., a special fixture can be replaced.



Material

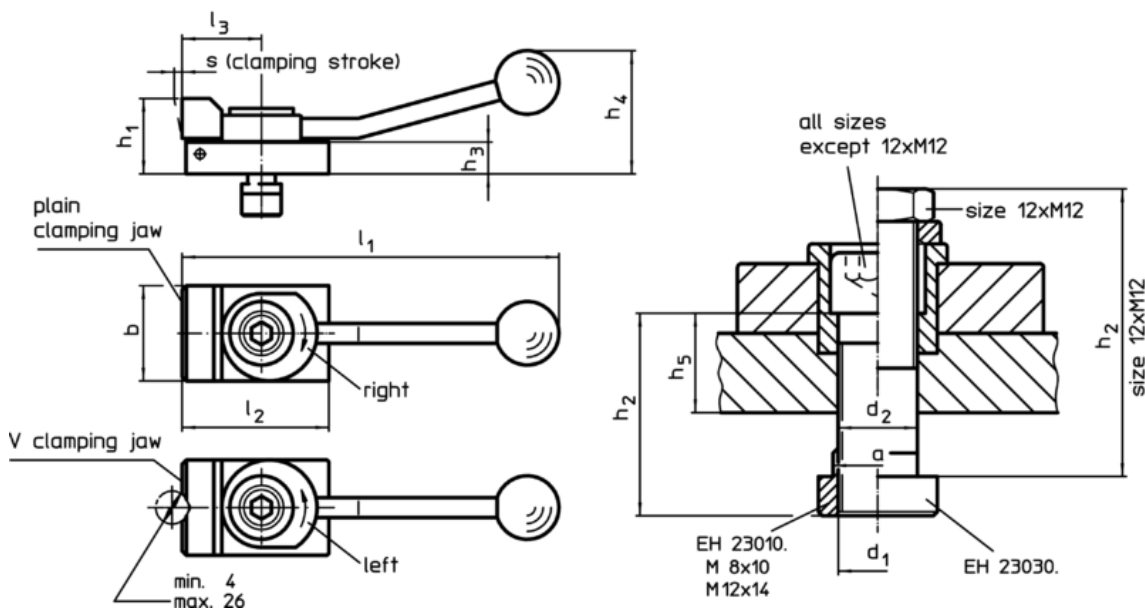
- Steel, case-hardened, blackened

More information

Further products

- Stops, cylindrical

Drawing



Order information

T-slot size	Dimensions												Clamping force horizontal max. [kN]	[g]	Art. No.	
	d ₁	a	b	d ₂	h ₁	h ₂	h ₃	h ₄	l ₁	l ₂	l ₃	s				
[mm]	[mm]												[kN]	[g]		
with flat clamping jaw, clamping to the right																
12	M12	11,6	48	12,5	38	63	16	62	190	72	40	4	7	870	23210.0321	

Application example

