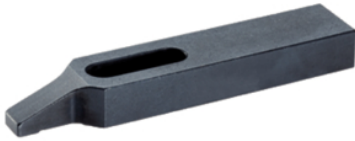


Clamps • with nose
23180.0222

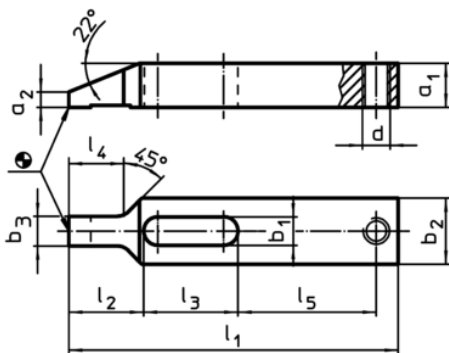
Product Description

Material

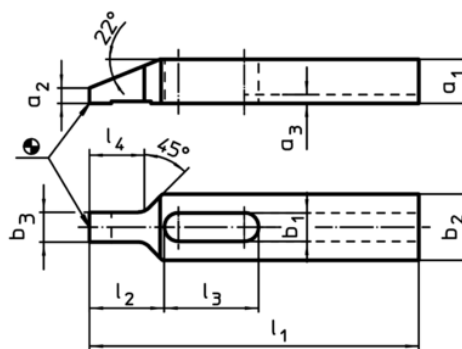
- Heat-treated steel, tempered, blackened



Drawing



picture 1



picture 2

Order information

| Nominal dimension b_1 [mm] | Dimensions | | | | | | | | | [g] | Art. No. |
|------------------------------------|------------|-------|-------|-------|-------|-------|-------|-------|-------|------|------------|
| | l_1 | a_1 | a_2 | a_3 | b_2 | b_3 | l_2 | l_3 | l_4 | | |
| with keyway – picture 2 | | | | | | | | | | | |
| 22 | 225 | 35 | 15,5 | 5,5 | 50 | 19,5 | 52 | 62 | 33 | 2200 | 23180.0222 |

Application example

