

**Clamps** • with nose, closed  
23170.0030

**Product Description**

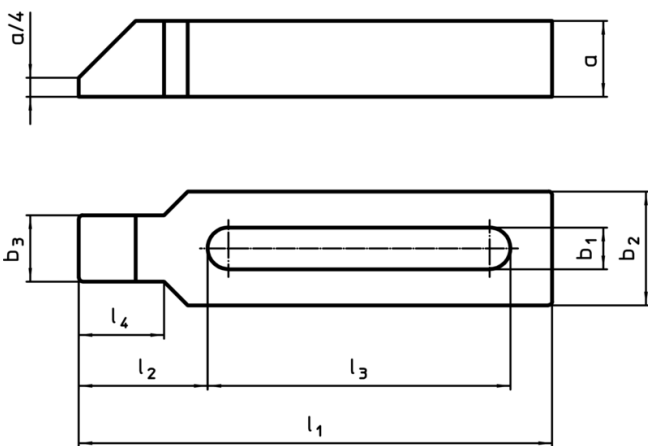
Thanks to the closed slot, the clamp is suitable for an application with rotating workpieces.



**Material**

- Heat-treated steel, varnished

**Drawing**



**Order information**

Nominal dimension b <sub>1</sub> [mm]	Dimensions							For screws		Art. No.	
	l <sub>1</sub>	a	b <sub>2</sub>	b <sub>3</sub>	l <sub>2</sub>	l <sub>3</sub>	l <sub>4</sub>	[mm]	[inch]		
33	315	50	80	50	88	200	56	M30	1 1/4	6370	23170.0030

Application example

