

Clamps • with nose, closed
23170.0029

Product Description

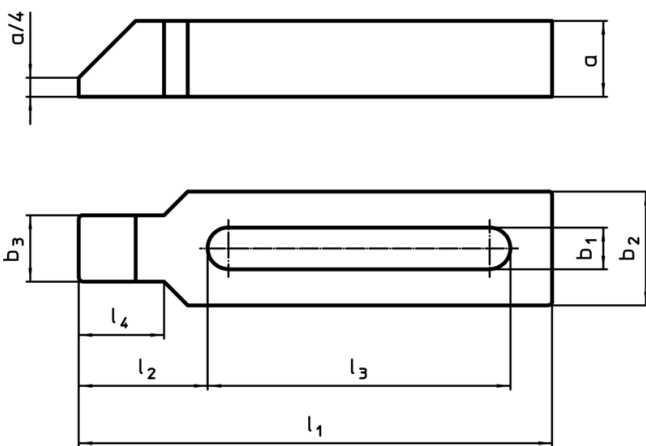
Thanks to the closed slot, the clamp is suitable for an application with rotating workpieces.



Material

- Heat-treated steel, varnished

Drawing



Order information

Nominal dimension b ₁ [mm]	Dimensions							For screws		Art. No.	
	l ₁	a	b ₂	b ₃	l ₂	l ₃	l ₄	[mm]	[inch]		
26	500	50	70	43	83	370	56	M24	1	7600	23170.0029

Application example

