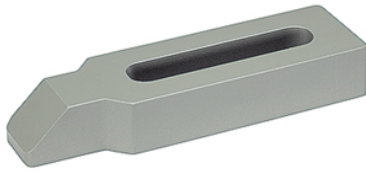


Clamps • with nose, closed
23170.0027

Product Description

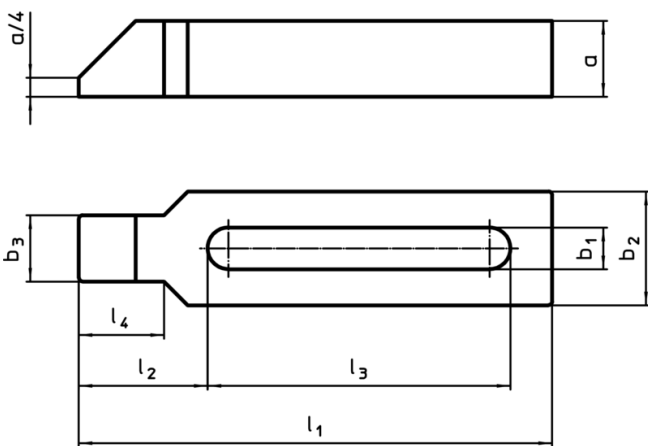
Thanks to the closed slot, the clamp is suitable for an application with rotating workpieces.



Material

- Heat-treated steel, varnished

Drawing



Order information

Nominal dimension b ₁ [mm]	Dimensions							For screws		[g]	Art. No.
	l ₁	a	b ₂	b ₃	l ₂	l ₃	l ₄	[mm]	[inch]		
26	315	40	70	43	83	200	56	M24	1	4510	23170.0027

Application example

