

**Clamps • DIN 6315 B forked**  
23150.0030

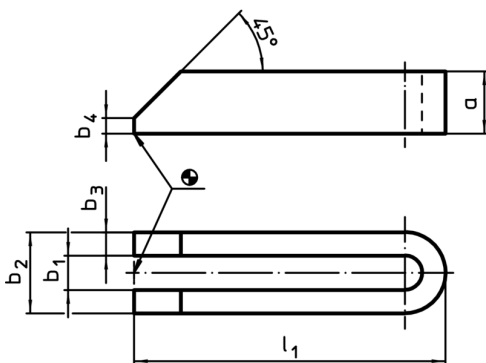
**Product Description**



**Material**

- Heat-treated steel, varnished

**Drawing**



**Order information**

Nominal dimension $b_1$ [mm]	Dimensions					For screws		[g]	Art. No.
	$l_1$	$a$	$b_2$ [mm]	$b_3$	$b_4$	[mm]	[inch]		
26	500	40	66	20	10	M24	1	8937	23150.0030

**Application example**

