

**Clamps• DIN 6315 B forked**  
23150.0016

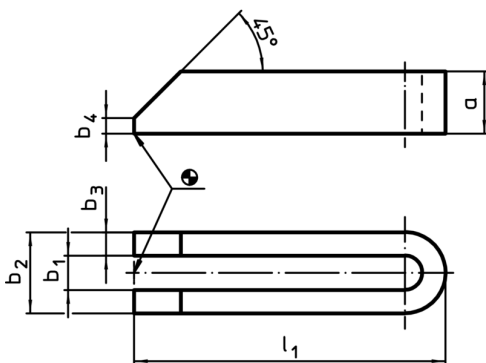
**Product Description**



**Material**

- Heat-treated steel, varnished

**Drawing**



**Order information**

Nominal dimension b <sub>1</sub> [mm]	Dimensions					For screws		[g]	Art. No.
	l <sub>1</sub>	a	b <sub>2</sub> [mm]	b <sub>3</sub>	b <sub>4</sub>	[mm]	[inch]		
14	200	25	38	12	6	M12, M14	1/2	905	23150.0016

**Application example**

