

Clamps • DIN 6315 B forked
23150.0014

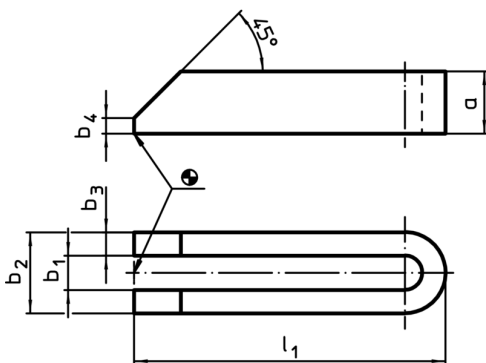
Product Description



Material

- Heat-treated steel, varnished

Drawing



Order information

Nominal dimension b ₁ [mm]	Dimensions					For screws		[g]	Art. No.
	l ₁	a	b ₂ [mm]	b ₃	b ₄	[mm]	[inch]		
14	125	25	38	12	6	M12, M14	1/2	578	23150.0014

Application example

