

Clamps• DIN 6315 B forked
23150.0011

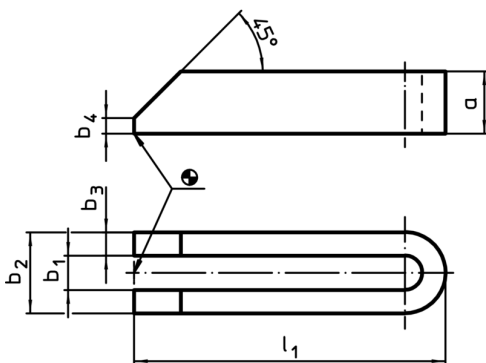
Product Description



Material

- Heat-treated steel, varnished

Drawing



Order information

Nominal dimension b ₁ [mm]	Dimensions					For screws		[g]	Art. No.
	l ₁	a	b ₂ [mm]	b ₃	b ₄	[mm]	[inch]		
11	100	20	31	10	5	M10	3/8	299	23150.0011

Application example

