

Clamps• DIN 6315 B forked
23150.0009

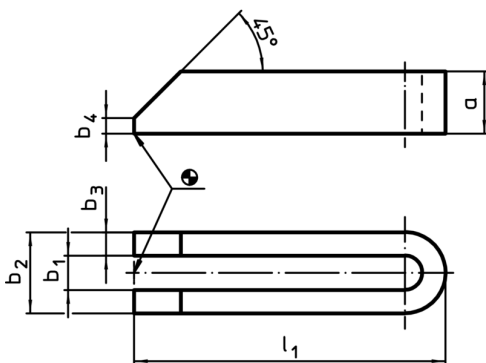
Product Description



Material

- Heat-treated steel, varnished

Drawing



Order information

Nominal dimension b_1 [mm]	Dimensions					For screws		[g]	Art. No.
	l_1	a	b_2	b_3	b_4	[mm]	[inch]		
9	80	15	25	8	4	M8	5/16	141	23150.0009

Application example

