

Manual Handles• for positioning clamping pins

23111.0902

Product Description

The manual handle enables an easy and fast operation of the positioning clamping pin.



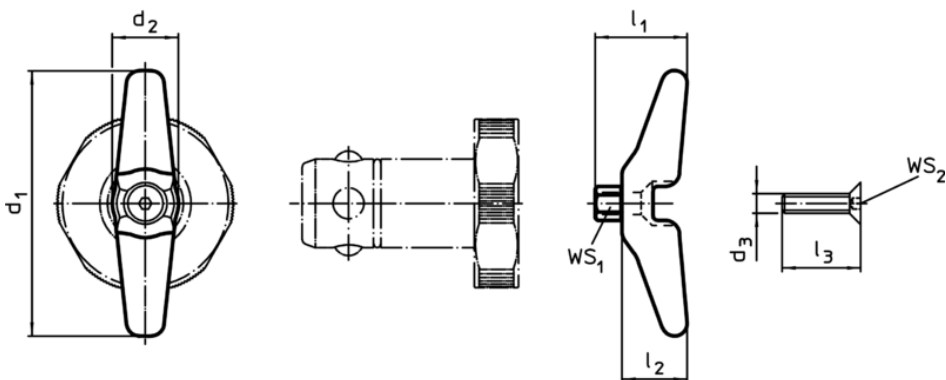
Material

- Stainless steel


Assembly

The handle is tightened to the positioning clamping pin with the M 4 screw included in the delivery.

Drawing



Order information

For pin Ø [mm]	Dimensions						WS ₁ [mm]	WS ₂ [mm]	 [g]	Art. No.
	d ₁	d ₂	d ₃	l ₁	l ₂	l ₃				
25/30	80	15	M4	25	20	20	10	2,5	80	23111.0902

Application example

