

Bushings for positioning clamping pins

23111.0810



Product Description

Material

- Stainless steel 1.4112, hardened

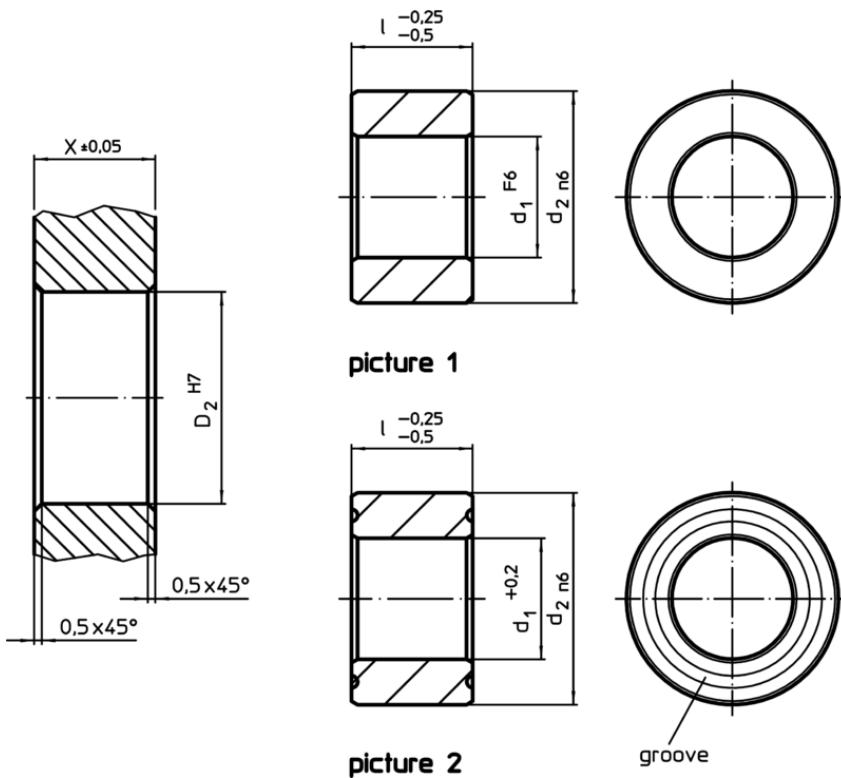
Assembly

Two centering bushes and two floating bushes are to be mounted into the plate to be clamped in order to guarantee an optimal repeatability.

Characteristic

The floating bush has a groove that serves as a differentiation mark.

Drawing



Order information

Dimensions		Location hole		[g]	Art. No.
d ₁	l	d ₂	X		
F6	-0,25 -0,5 [mm]	n6	±0,05 [mm]	H7	
central – picture 1, Stainless steel					
25	20	35	20	35	75
					23111.0810

Application example

