

Bushings for positioning clamping pins

23111.0802



Product Description

Material

- Stainless steel 1.4112, hardened

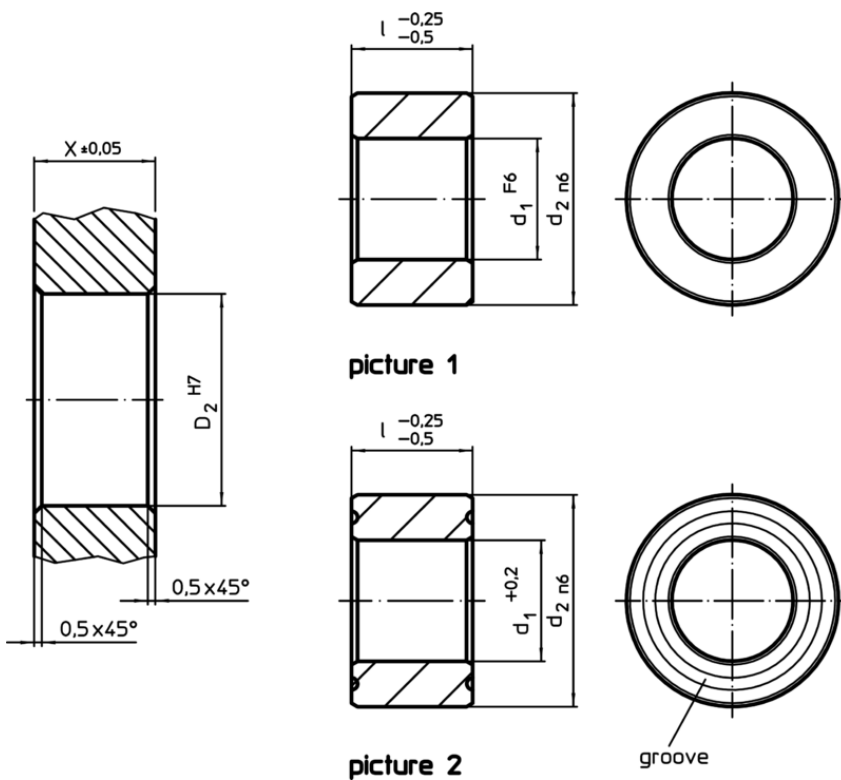
Assembly

Two centering bushes and two floating bushes are to be mounted into the plate to be clamped in order to guarantee an optimal repeatability.

Characteristic

The floating bush has a groove that serves as a differentiation mark.

Drawing



Order information

d ₁	Dimensions		d ₂	Location hole		D ₂	[g]	Art. No.
	l	[mm]		X	[mm]			
F6	-0,25 -0,5		n6	±0,05		H7		
central – picture 1, Stainless steel								
16	20		25	20		25	45	23111.0802

Application example

