

## Bushings for positioning clamping pins

23111.0712



### Product Description

#### Material

- Case-hardened steel, case-hardened, blackened

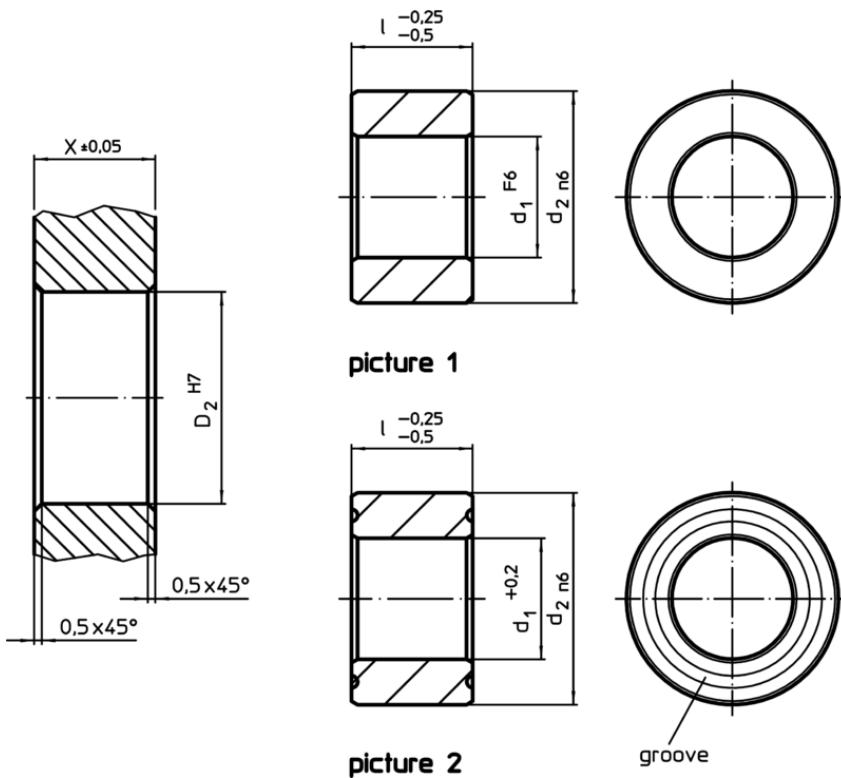
#### Assembly

Two centering bushes and two floating bushes are to be mounted into the plate to be clamped in order to guarantee an optimal repeatability.

#### Characteristic

The floating bush has a groove that serves as a differentiation mark.

### Drawing



### Order information

d <sub>1</sub>	Dimensions		d <sub>2</sub>	Location hole		D <sub>2</sub>	Art. No.
	l	[mm]		X	[mm]		
F6	-0,25 -0,5	[mm]	n6	±0,05	[mm]	H7	
central – picture 1, Case-hardened steel							
25	25		35	25		35	23111.0712

Application example

