

Bushings for positioning clamping pins

23111.0704



Product Description

Material

- Case-hardened steel, case-hardened, blackened

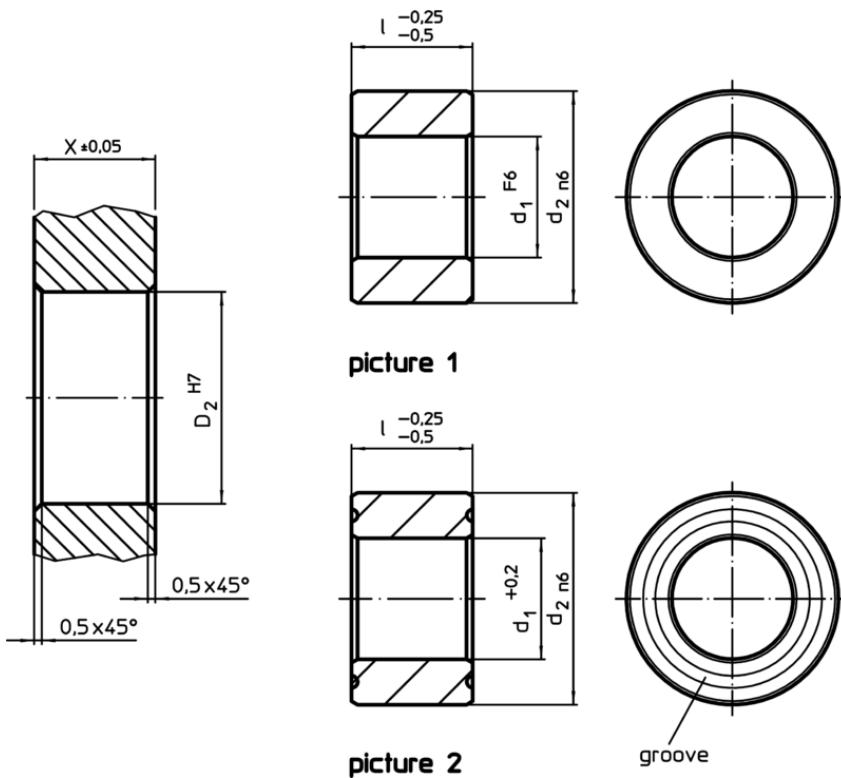
Assembly

Two centering bushes and two floating bushes are to be mounted into the plate to be clamped in order to guarantee an optimal repeatability.

Characteristic

The floating bush has a groove that serves as a differentiation mark.

Drawing



Order information

Dimensions		Location hole		Art. No.
d_1	l	d_2	X	
F6	-0,25 -0,5 [mm]	n6	$\pm 0,05$	[g]
			[mm]	
central – picture 1, Case-hardened steel				
16	25	25	25	55
				23111.0704

Application example

