

Positioning Clamping Pins

23111.0132



Product Description

The positioning clamping pin allows fast clamping, fastening, adjusting, changing and securing of workpieces, plates, fixture systems etc.

Material

- Stainless steel 1.4542, precipitation-hardened

Operation

By tightening the clamping screws, the positioning clamping pin is centered and clamped with four balls in the locating bush. The clamping screw can be operated manually via a removable handle (Art.-Nr. 23111.0900/.0902) or via an hex. key.

More information

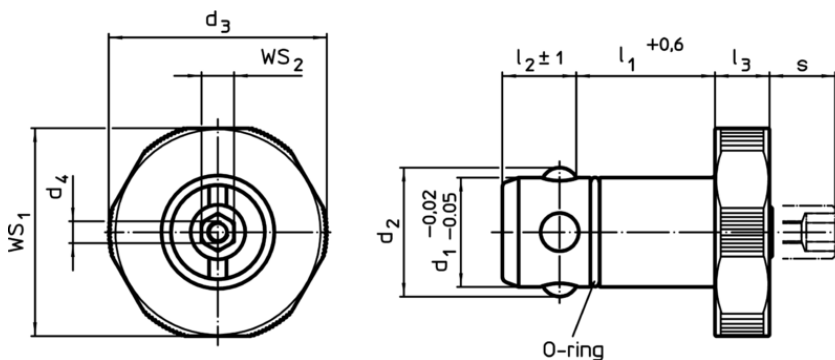
Accessories

Suitable bushings are available.

Further products

- Manual Handles, for positioning clamping pins
- Bushings, for positioning clamping pins
- Locating Bushings, for positioning clamping pins, for press fit
- Locating Bushings, for positioning clamping pins, for screw fit

Drawing



Order information

d ₁		l ₁	d ₂	Dimensions		l ₂	l ₃	s	For base plates	WS ₁	WS ₂	Holding force		Art. No.
-0,02	-0,05	+0,6		d ₃	d ₄	±1		~	±0,05					
				[mm]					[mm]	[mm]	[mm]	[kN]	[g]	
Stainless steel														
30	30	34,6	55	M4	18,6	10	9	25	53	10	10	400		23111.0132

Application example

