

## Positioning Clamping Pins

23111.0125



### Product Description

The positioning clamping pin allows fast clamping, fastening, adjusting, changing and securing of workpieces, plates, fixture systems etc.

### Material

- Stainless steel 1.4542, precipitation-hardened

### Operation

By tightening the clamping screws, the positioning clamping pin is centered and clamped with four balls in the locating bush. The clamping screw can be operated manually via a removable handle (Art.-Nr. 23111.0900/.0902) or via an hex. key.

### More information

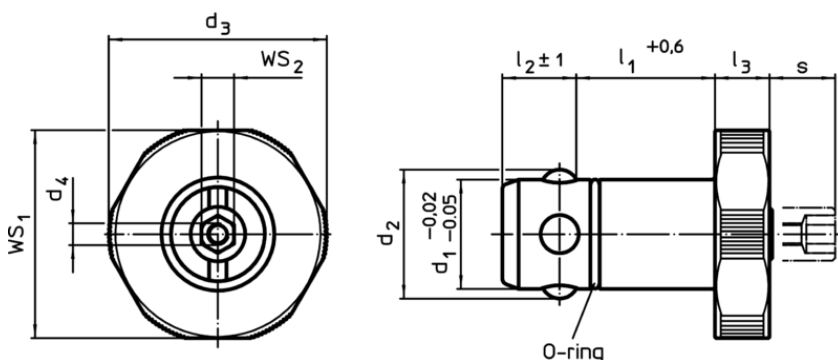
### Accessories

Suitable bushings are available.

### Further products

- Manual Handles, for positioning clamping pins
- Bushings, for positioning clamping pins
- Locating Bushings, for positioning clamping pins, for press fit
- Locating Bushings, for positioning clamping pins, for screw fit

### Drawing



### Order information

Dimensions									For base plates ±0,05	WS <sub>1</sub>	WS <sub>2</sub>	Holding force		Art. No.
d <sub>1</sub>	l <sub>1</sub>	d <sub>2</sub>	d <sub>3</sub>	d <sub>4</sub>	l <sub>2</sub>	l <sub>3</sub>	s	[mm]						
-0,02 -0,05	+0,6				±1		~							
Stainless steel														
25	25	29	45	M4	18,6	10	9	20	43	10	8	255	23111.0125	

Application example

