

## Centering Pins· stepped

23110.0620



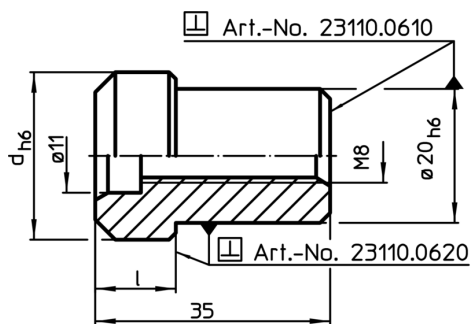
### Product Description

The stepped centering pins are used for centering fixtures on pallets.


### Material

- Alloyed case-hardened steel, case hardened, ground

### Drawing



### Order information

Dimensions			Art. No.
d h6	l		
[mm]		[g]	
50	20	330	23110.0620

### Application example

