

Centering Pins· stepped

23110.0610



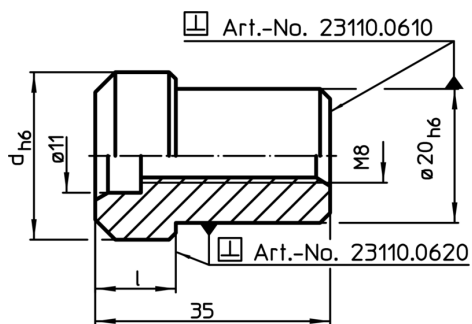
Product Description

The stepped centering pins are used for centering fixtures on pallets.

Material

- Alloyed case-hardened steel, case hardened, ground

Drawing



Order information

d h6	Dimensions	l	[g]	Art. No.
	[mm]			
25		12	87	23110.0610

Application example

