

## Fixed Slot Tenons with cylindrical fastening

23110.0122



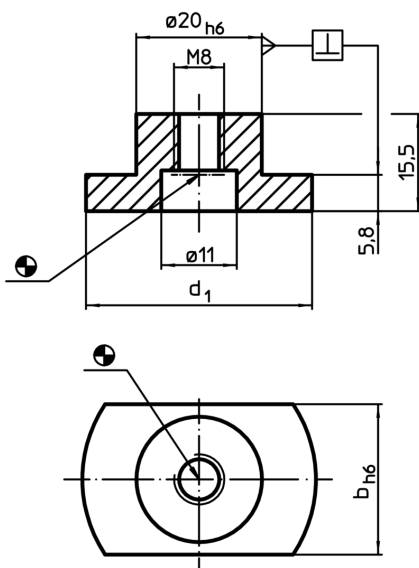
### Product Description

To be used for locating fixtures and clamping elements onto mounting pallets or pallets with cylindrical location holes. They can be inserted in holes as well as in slots.

### Material

- Steel, case-hardened, blackened, ground

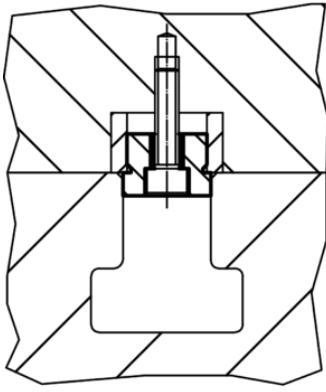
### Drawing



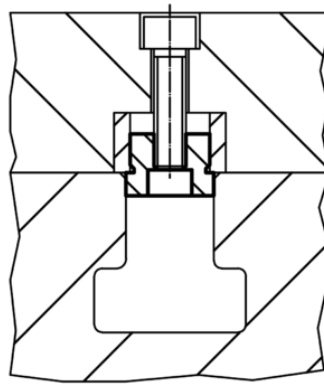
### Order information

T-slot size machine b h6 [mm]	Dimensions d <sub>1</sub> [mm]	For screws ISO 4762		Art. No.
		(picture 1) [mm]	(picture 2)	
22	40	M6 x 16	M8	54 <a href="#">23110.0122</a>

Application example



picture 1



picture 2