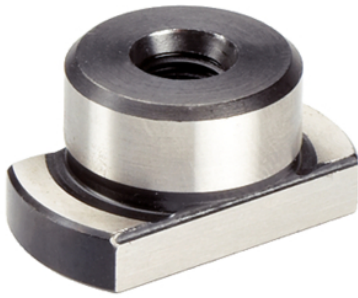


Fixed Slot Tenons with cylindrical fastening

23110.0114



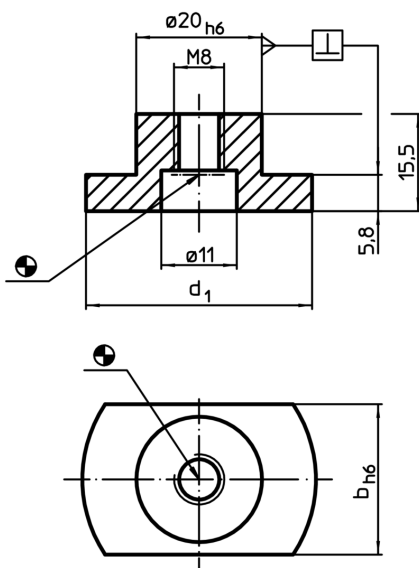
Product Description

To be used for locating fixtures and clamping elements onto mounting pallets or pallets with cylindrical location holes. They can be inserted in holes as well as in slots.

Material

- Steel, case-hardened, blackened, ground

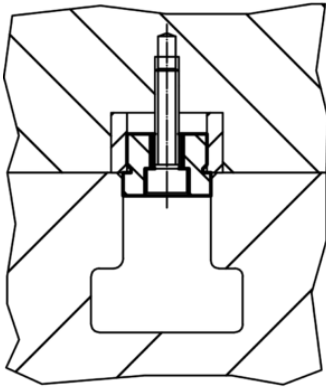
Drawing



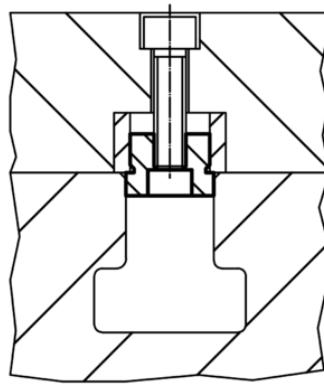
Order information

T-slot size machine b h6 [mm]	Dimensions d ₁ [mm]	For screws ISO 4762		[g]	Art. No.
		(picture 1) [mm]	(picture 2)		
14	30	M6 x 16	M8	41	23110.0114

Application example



picture 1



picture 2