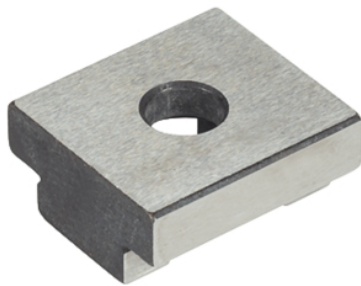


## Fixed Slot Tenons

23110.0010



### Product Description

To be used for locating fixtures and clamping elements onto machine tables with T-slots to DIN 650.

### Material

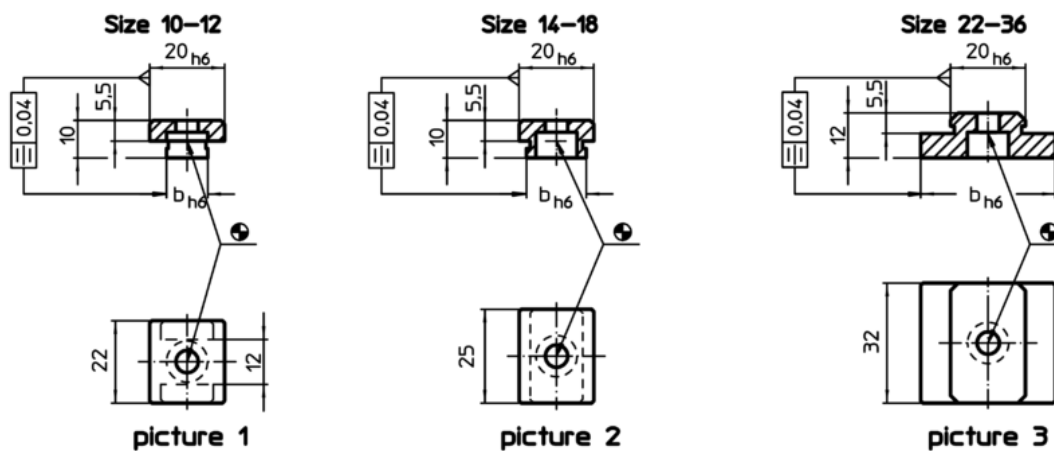
- Steel, case-hardened, blackened, ground

### More information


### References

For size 20 refer to 23130.0020.

### Drawing



### Order information

T-slot size machine b h6 [mm]	For screws ISO 4762 [mm]	 [g]	Art. No.
size 10-12 – picture 1 10	M6 x 10	17	23110.0010

### Application example

