

Drive Blocks • DIN 2079

23100.0250

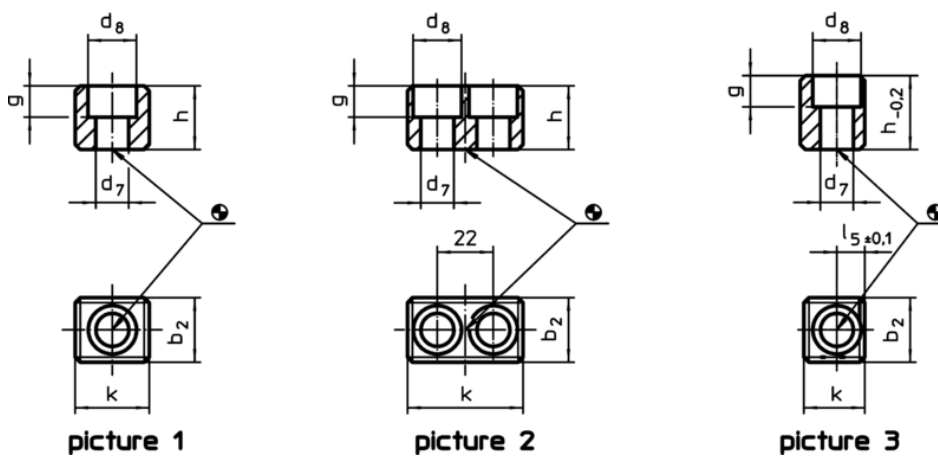
Product Description



Material

- Alloyed case-hardened steel, case hardened, blackened, ground

Drawing



Order information

Spindle head No.	Dimensions							For screws ISO 4762	[g]	Art. No.
	k	b ₂ h ₅	d ₇	d ₈	g	h	l ₅ ±0,1			
for spindle heads no. 30 to 50, form C – picture 3										
50	24	25,4	13	19	12,3	29	11	M12 x 30	89	23100.0250

Application example

