

Drive Blocks • DIN 2079

23100.0240

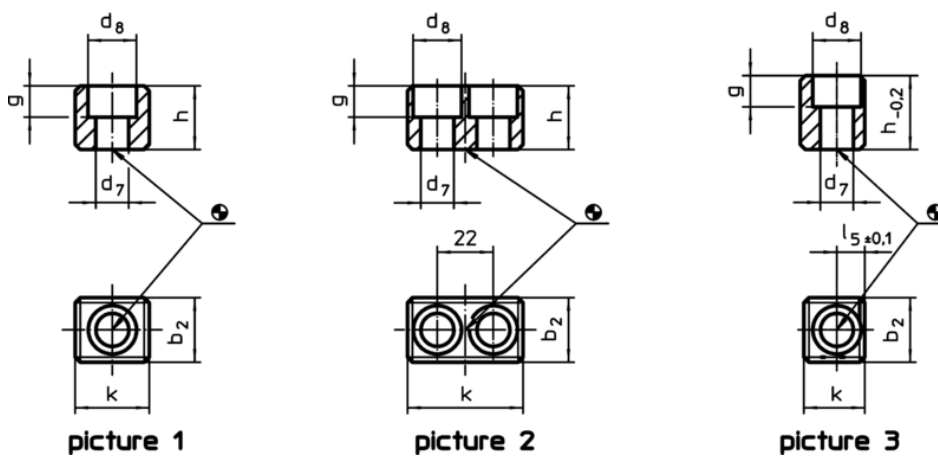
Product Description




Material

- Alloyed case-hardened steel, case hardened, blackened, ground

Drawing



Order information

Spindle head No.	Dimensions							For screws ISO 4762 [mm]	 [g]	Art. No.
	k	b ₂ h5	d ₇	d ₈	g	h	l ₅ ±0,1			
for spindle heads no. 30 to 50, form C – picture 3										
40	16,5	15,9	6,4	10,4	6,2	24,5	7	M6 x 25	39	23100.0240

Application example

