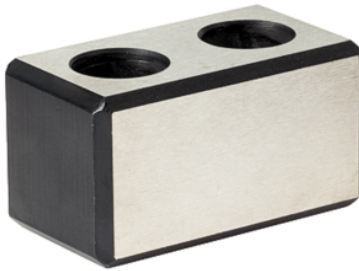


Drive Blocks • DIN 2079  
23100.0160

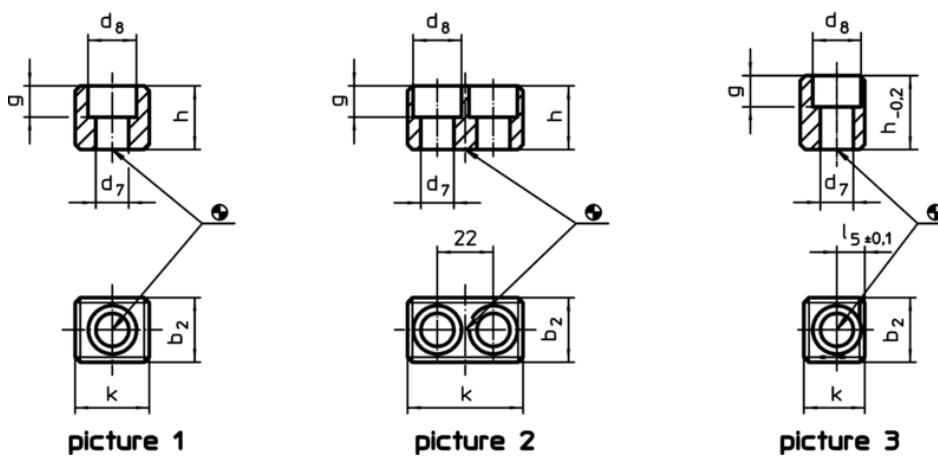
Product Description



Material

- Alloyed case-hardened steel, case hardened, blackened, ground

Drawing



Order information

Spindle head No.	Dimensions						For screws ISO 4762	[g]	Art. No.
	k	b <sub>2</sub> h5	d <sub>7</sub>	d <sub>8</sub>	g	h			
for spindle heads no. 60 form B – picture 2									
60	45,5	25,4	13	19	12,3	25	M12 x 25	140	23100.0160

Application example

