

Drive Blocks • DIN 2079
23100.0060

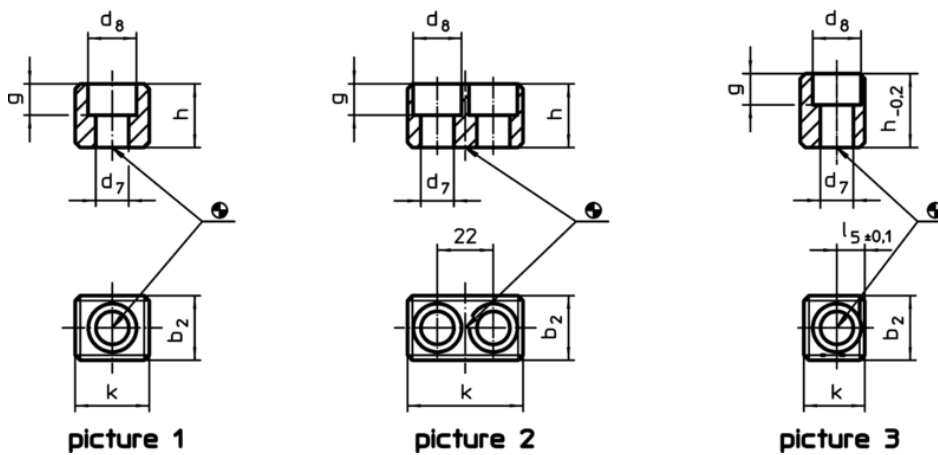
Product Description



Material

- Alloyed case-hardened steel, case hardened, blackened, ground

Drawing



Order information

Spindle head No.	Dimensions						For screws ISO 4762	[g]	Art. No.
	k	b_2 h_5	d_7	d_8	g	h			
for spindle heads no. 30 to 60, form A – picture 1									
60	45,5	25,4	13	19	12,3	25	M12 x 25	179	23100.0060

Application example

