

Drive Blocks • DIN 2079  
23100.0045

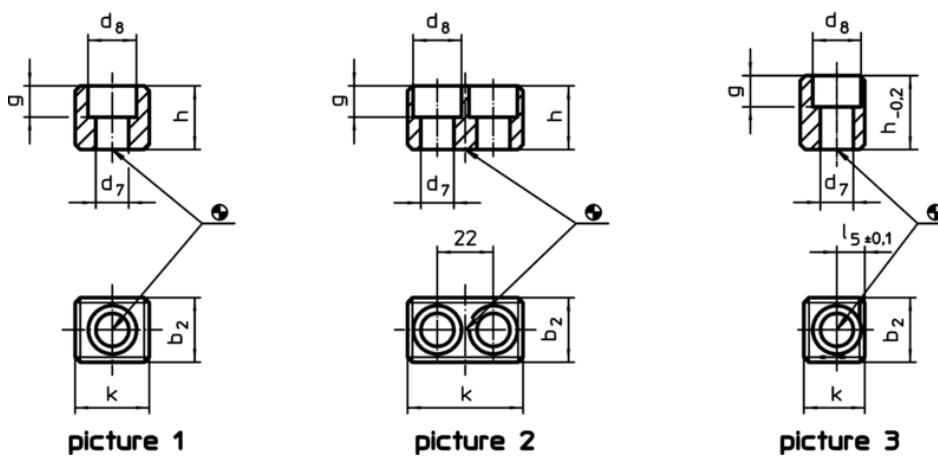
Product Description



Material

- Alloyed case-hardened steel, case hardened, blackened, ground

Drawing



Order information

Spindle head No.	Dimensions						For screws ISO 4762	Art. No.	
	k	$b_2$ h5	$d_7$	$d_8$	g	h			[mm]
for spindle heads no. 30 to 60, form A – picture 1									
45	19,5	19	8,4	13,5	8,3	19	M8 x 20	38	23100.0045

Application example

