

Drive Blocks • DIN 2079
23100.0040

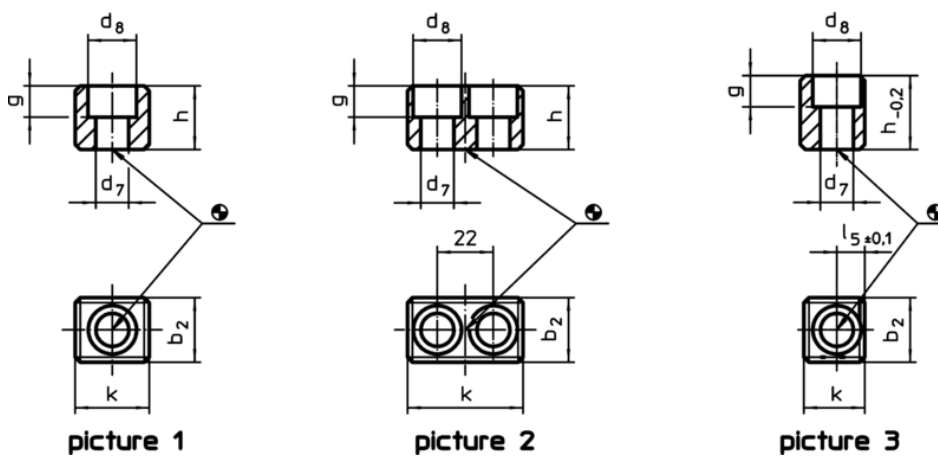
Product Description



Material

- Alloyed case-hardened steel, case hardened, blackened, ground

Drawing



Order information

Spindle head No.	Dimensions						For screws ISO 4762	[g]	Art. No.
	k	b ₂ h5	d ₇ [mm]	d ₈	g	h			
for spindle heads no. 30 to 60, form A – picture 1									
40	19,5	15,9	6,4	10,4	6,2	16	M6 x 16	31	23100.0040

Application example

