

Collar Nuts with Conical Seat

23080.0630



Product Description

Material

Conical seat

- Heat-treated steel, tempered, blackened

Nut

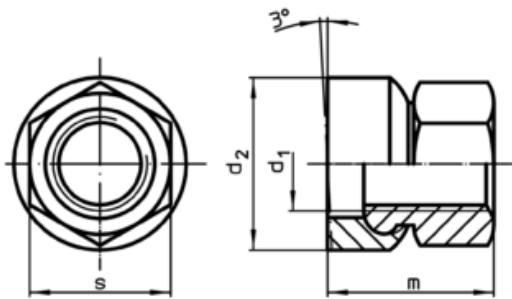
- Heat-treated steel, tempered, blackened

More information

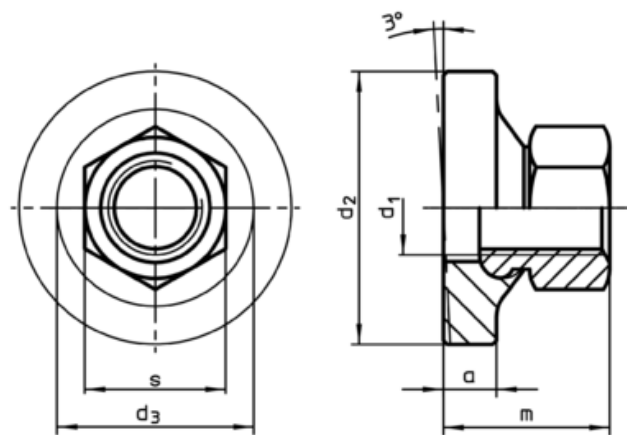
References

For torques and strengths please refer to appendix - Technical Data -

Drawing




picture 1



picture 2

Order information

d_1	a	Dimensions d_2 [mm]	d_3	m	s [mm]	 [g]	Art. No.
with large surface – picture 2							
M30	14	68	61,3	56	46	702	23080.0630

Application example

