

## Collar Nuts with Conical Seat

23080.0624



### Product Description

#### Material

##### Conical seat

- Heat-treated steel, tempered, blackened

##### Nut

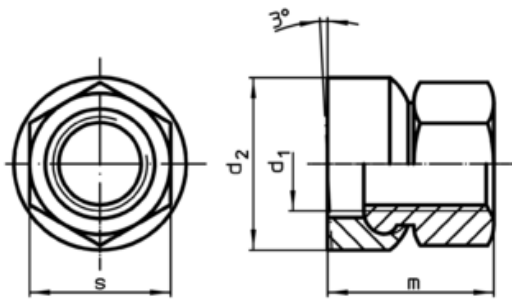
- Heat-treated steel, tempered, blackened

#### More information

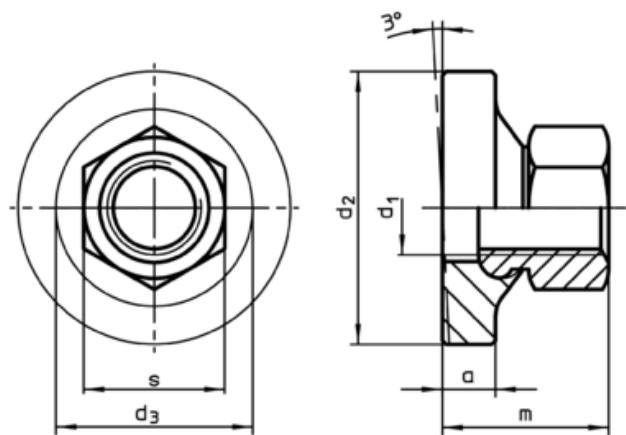
#### References

For torques and strengths please refer to appendix - Technical Data -

### Drawing



picture 1



picture 2

### Order information

d <sub>1</sub>	a	Dimensions			s	[g]	Art. No.
		d <sub>2</sub>	d <sub>3</sub>	m			
[mm]							
with large surface – picture 2							
M24	11	60	49,6	42,5	36	377	23080.0624

Application example

