

Collar Nuts with Conical Seat

23080.0620



Product Description

Material

Conical seat

- Heat-treated steel, tempered, blackened

Nut

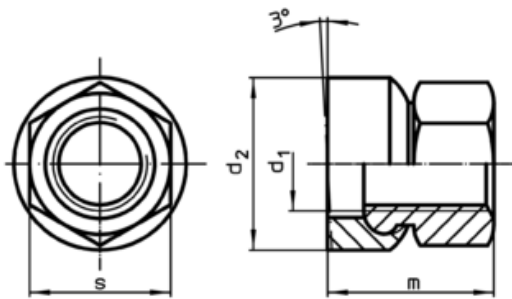
- Heat-treated steel, tempered, blackened

More information

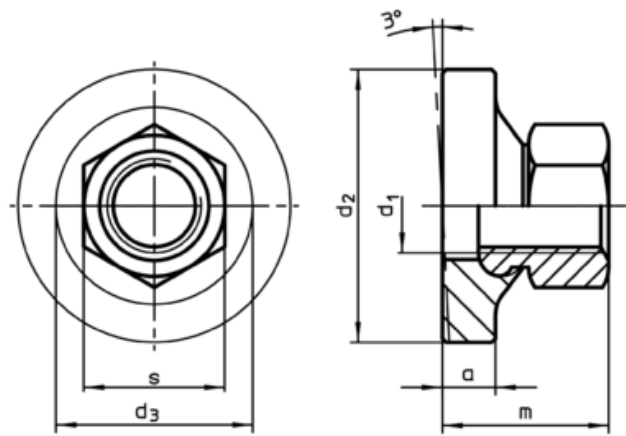
References

For torques and strengths please refer to appendix - Technical Data -

Drawing



picture 1



picture 2

Order information

Dimensions						s [mm]	[g]	Art. No.
d ₁	a	d ₂ [mm]	d ₃	m				
with large surface – picture 2								
M20	9,5	50	39,9	35	30	213	23080.0620	

Application example

