

Collar Nuts with Conical Seat

23080.0616



Product Description

Material

Conical seat

- Heat-treated steel, tempered, blackened

Nut

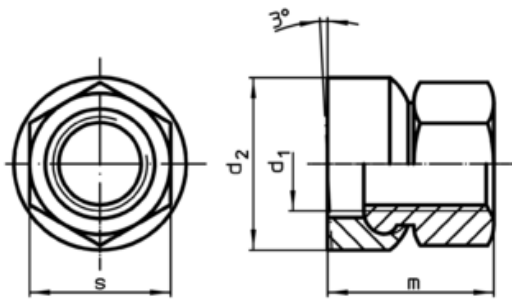
- Heat-treated steel, tempered, blackened

More information

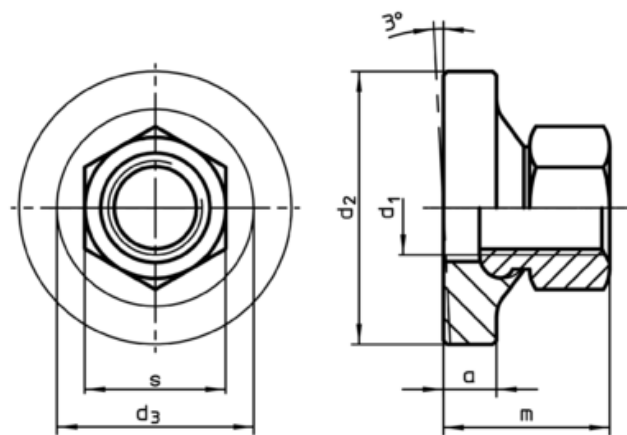
References

For torques and strengths please refer to appendix - Technical Data -

Drawing




picture 1



picture 2

Order information

| d_1 | a | Dimensions d_2 [mm] | d_3 | m | s [mm] |  [g] | Art. No. |
|--------------------------------|---|-----------------------------|-------|----|-----------|--|------------|
| with large surface – picture 2 | | | | | | | |
| M16 | 8 | 44 | 30,9 | 28 | 24 | 126 | 23080.0616 |

Application example

