

Collar Nuts with Conical Seat

23080.0612



Product Description

Material

Conical seat

- Heat-treated steel, tempered, blackened

Nut

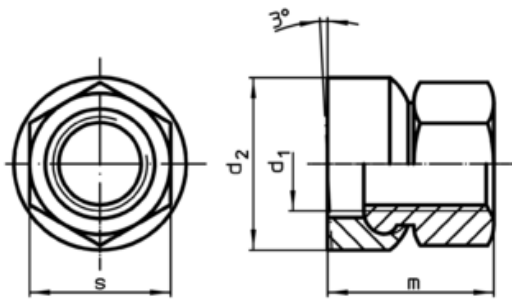
- Heat-treated steel, tempered, blackened

More information

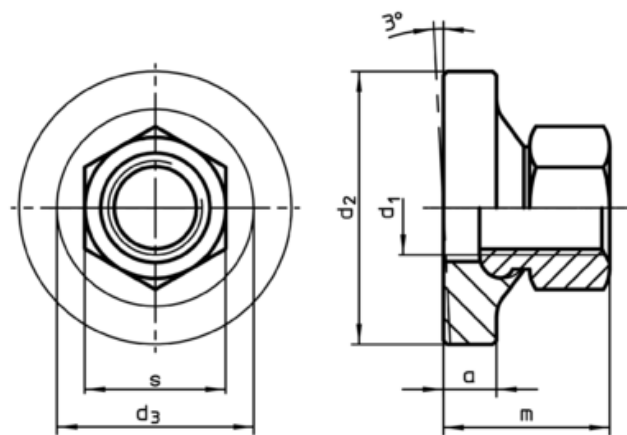
References

For torques and strengths please refer to appendix - Technical Data -

Drawing



picture 1



picture 2

Order information

d ₁	a	Dimensions			m	s	[g]	Art. No.
		d ₂	d ₃	[mm]				
with large surface – picture 2								
M12	7	36	25,2		21,5	18	69	23080.0612

Application example

