

Collar Nuts with Conical Seat

23080.0610



Product Description

Material

Conical seat

- Heat-treated steel, tempered, blackened

Nut

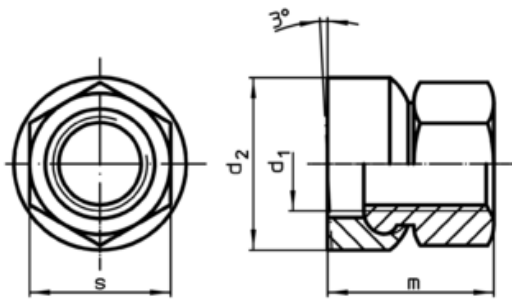
- Heat-treated steel, tempered, blackened

More information

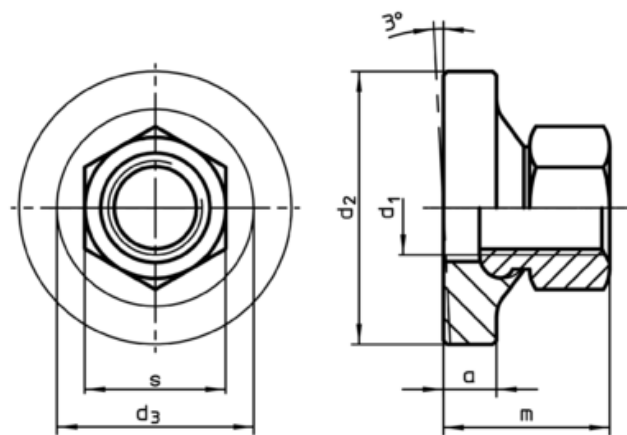
References

For torques and strengths please refer to appendix - Technical Data -

Drawing



picture 1



picture 2

Order information

d ₁	a	Dimensions			s	[g]	Art. No.
		d ₂ [mm]	d ₃	m			
with large surface – picture 2							
M10	5,5	30	21,2	17,5	16	40	23080.0610

Application example

