

Collar Nuts with Conical Seat

23080.0608



Product Description

Material

Conical seat

- Heat-treated steel, tempered, blackened

Nut

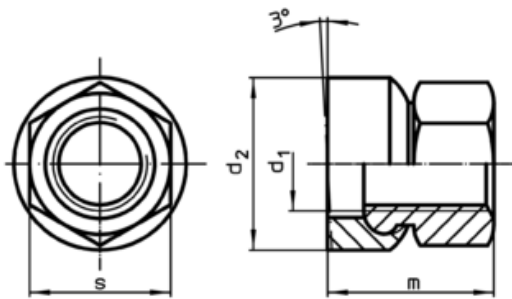
- Heat-treated steel, tempered, blackened

More information

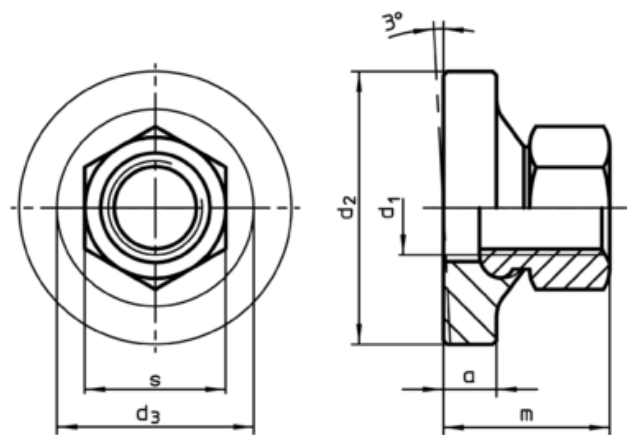
References

For torques and strengths please refer to appendix - Technical Data -

Drawing



picture 1



picture 2

Order information

Dimensions						s	[g]	Art. No.
d ₁	a	d ₂	d ₃	m	[mm]			
with large surface – picture 2								
M8	4	24	17,8	14	13	20	23080.0608	

Application example

