

Collar Nuts with Conical Seat

23080.0524



Product Description

Material

Conical seat

- Heat-treated steel, tempered, blackened

Nut

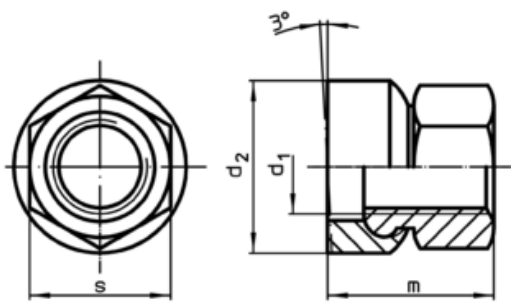
- Heat-treated steel, tempered, blackened

More information

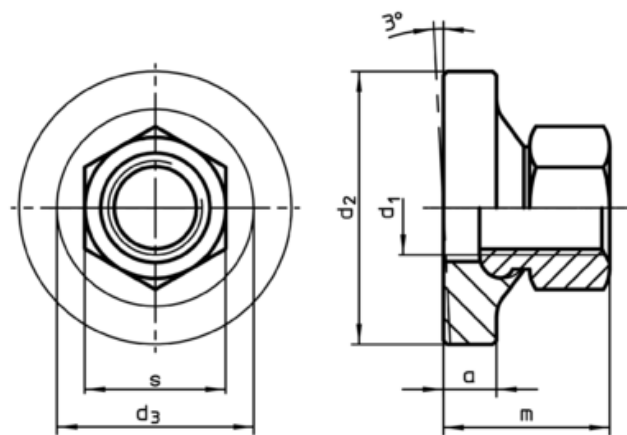
References

For torques and strengths please refer to appendix - Technical Data -

Drawing




picture 1



picture 2

Order information

d_1	Dimensions d_2 [mm]	m ~	s [mm]	 [g]	Art. No.
with small surface – picture 1					
M24	44	42,5	36	261	23080.0524

Application example

