

## Spherical Washers / Conical Seats • similar to DIN 6319, stainless steel

23050.0720

### Product Description



#### Material

- Conical seat**
- Stainless steel A4

#### Assembly

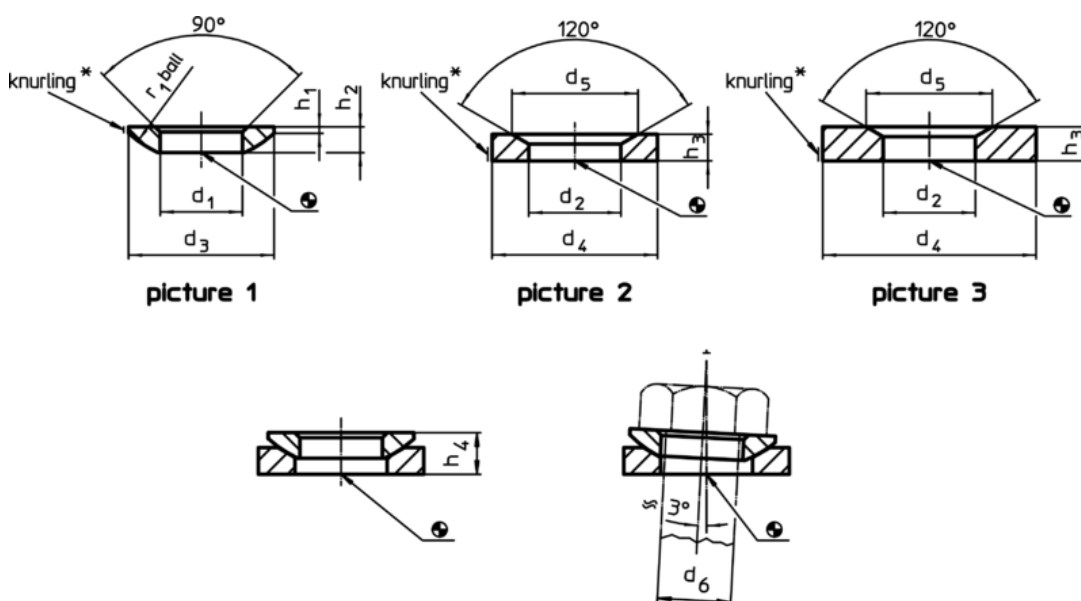
Conical seats form D are to be used only for plain, closed round areas.  
For larger holes only use form G!

#### More information

#### Further products

- Spherical Washers / Conical Seats, DIN 6319
- Fixture Nuts, DIN 6330 (height 1,5 d)

### Drawing



\* Knurling = material identification for stainless steel A4 type

### Order information

d <sub>2</sub> H13	Dimensions			For pin d <sub>6</sub>	For screws d <sub>6</sub>	Load capacity for static load max.	Torque for screwed connections <sup>1)</sup> max.	[g]	Art. No.
	d <sub>4</sub>	d <sub>5</sub>	h <sub>3</sub>						
<b>conical seats from stainless steel, form G – picture 3, Stainless steel A4</b>									
23,2	50	31	8	20	M20	71	280	95	23050.0720

<sup>1)</sup> Torques of screws A2-70 to be seen as very rough values only having information character; eventual pre-loads to be considered, coefficient of friction  $\mu_{total}$  0,12.

Application example

