

Compact Spherical Washers / Conical Seats • similar to DIN 6319

23050.0562



Product Description

The compact spherical washer / conical seat is a permanently fastened component of spherical washer and conical seat offering the following benefits:

- function-safety,
- secured against loss,
- quick and rational assembly,
- simplified stock holding,
- swiveling range max. 4°.

Material

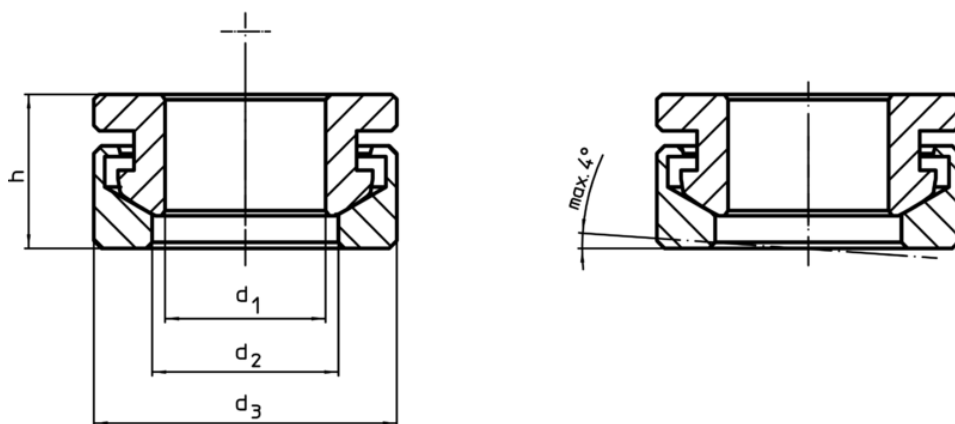
Conical seat

- Stainless steel 1.4305

Spherical washer

- Stainless steel 1.4305

Drawing



Order information

d ₁ H13	Dimensions			For pin d ₆ [mm]	For screws d ₆ [mm]	Load capacity for static load ¹⁾ max. [kN]	[g]	Art. No.
	d ₂	d ₃	h					
	[mm]							
Stainless steel								
13	14,8	25	13,1	12	M12	38	34	23050.0562

¹⁾ Statements on load capacity are not valid for the stainless steel type.

Application example

