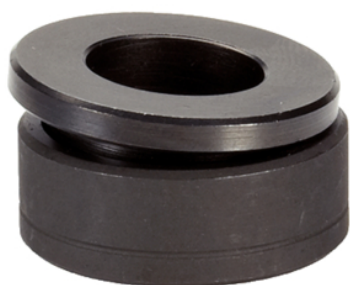


Compact Spherical Washers / Conical Seats • similar to DIN 6319

23050.0520



Product Description

The compact spherical washer / conical seat is a permanently fastened component of spherical washer and conical seat offering the following benefits:

- function-safety,
- secured against loss,
- quick and rational assembly,
- simplified stock holding,
- swiveling range max. 4°.

Material

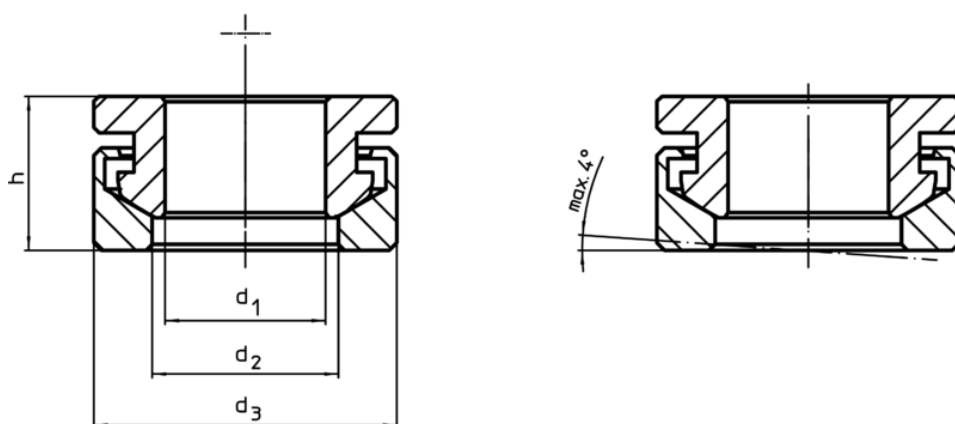
Conical seat

- Heat-treated steel, heat treated

Spherical washer

- Case-hardened steel, case hardened

Drawing



Order information

Dimensions				For pin d_6	For screws d_6	Load capacity for static load ¹⁾ max.	[g]	Art. No.
d_1	d_2	d_3	h					
H13								
[mm]				[mm]	[mm]	[kN]	[g]	
Heat-treated steel								
21	24,6	40	20,3	20	M20	117	112	23050.0520

¹⁾ Statements on load capacity are not valid for the stainless steel type.

Application example

