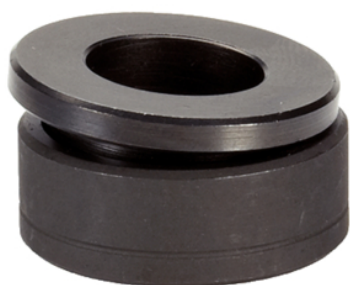


Compact Spherical Washers / Conical Seats • similar to DIN 6319

23050.0508



Product Description

The compact spherical washer / conical seat is a permanently fastened component of spherical washer and conical seat offering the following benefits:

- function-safety,
- secured against loss,
- quick and rational assembly,
- simplified stock holding,
- swiveling range max. 4°.

Material

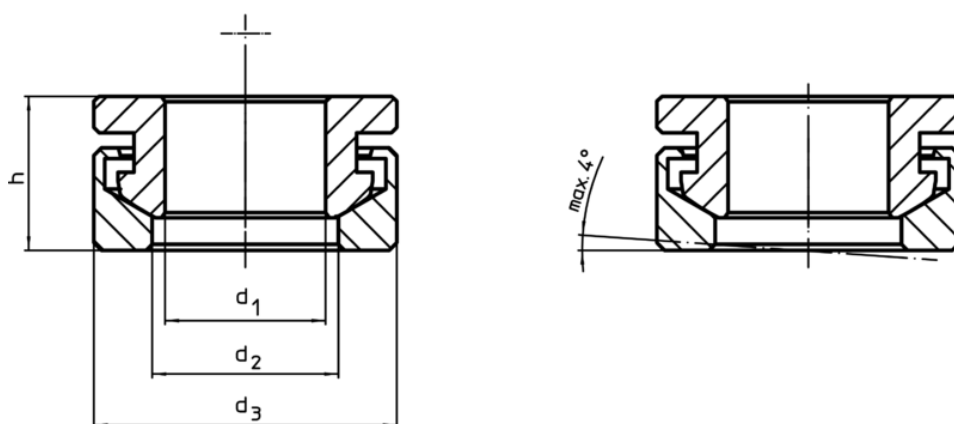
Conical seat

- Heat-treated steel, heat treated

Spherical washer

- Case-hardened steel, case hardened

Drawing



Order information

d ₁ H13	Dimensions			For pin d ₆ [mm]	For screws d ₆ [mm]	Load capacity for static load ¹⁾ max. [kN]	[g]	Art. No.
	d ₂	d ₃	h					
	[mm]							
Heat-treated steel								
8,4	9,7	17	8,5	8	M8	17	9	23050.0508

¹⁾ Statements on load capacity are not valid for the stainless steel type.

Application example

