

Compact Spherical Washers / Conical Seats • similar to DIN 6319

23050.0506



Product Description

The compact spherical washer / conical seat is a permanently fastened component of spherical washer and conical seat offering the following benefits:

- function-safety,
- secured against loss,
- quick and rational assembly,
- simplified stock holding,
- swiveling range max. 4°.

Material

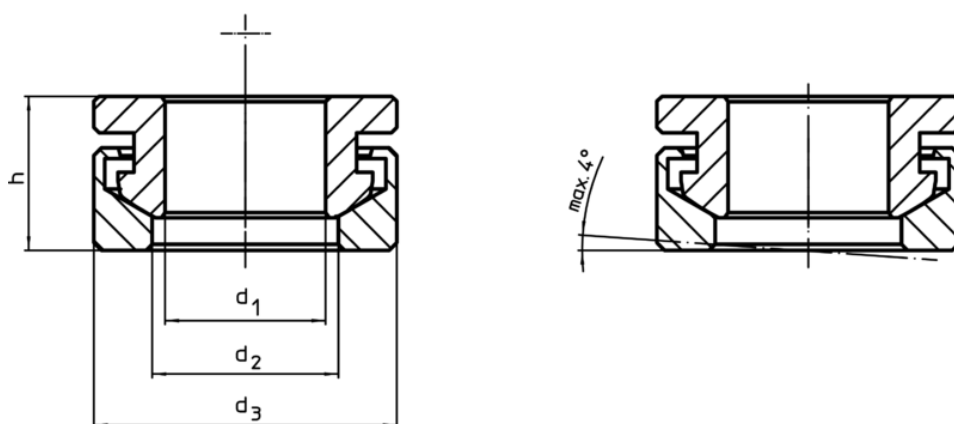
Conical seat

- Heat-treated steel, heat treated


Spherical washer

- Case-hardened steel, case hardened

Drawing



Order information

d ₁ H13	Dimensions d ₂ d ₃ h [mm]			For pin d ₆ [mm]	For screws d ₆ [mm]	Load capacity for static load ¹⁾ max. [kN]	 [g]	Art. No.
6,4	7,4	13	7	6	M6	9	4	23050.0506

¹⁾ Statements on load capacity are not valid for the stainless steel type.

Application example

