

Spherical Washers / Conical Seats• similar to DIN 6319, stainless steel

23050.0308

Product Description



Material

Spherical washer  
• Stainless steel 1.4305

Assembly

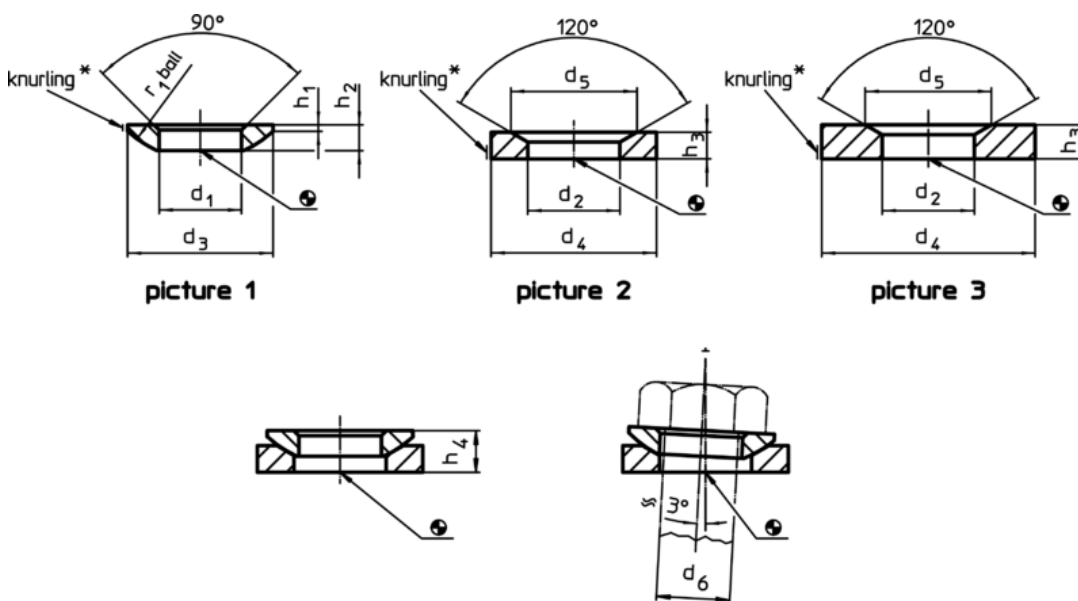
Conical seats form D are to be used only for plain, closed round areas.  
For larger holes only use form G!

More information

Further products

- Spherical Washers / Conical Seats, DIN 6319
- Fixture Nuts, DIN 6330 (height 1,5 d)

Drawing



\* Knurling = material identification for stainless steel A4 type

Order information

Dimensions							For pin d <sub>6</sub>	For screws d <sub>6</sub>	Load capacity for static load max.	Torque for screwed connections <sup>1)</sup> max.	[g]	Art. No.
d <sub>1</sub>	d <sub>3</sub>	h <sub>1</sub>	h <sub>2</sub>	with conical seat form D ~ [mm]	with conical seat form G ~ [mm]	r <sub>1</sub>						
H13												
8,4	17	0,6	3,2	5,3	6,8	12	8	M8	12	16	2,8	23050.0308

<sup>1)</sup> Torques of screws A2-70 to be seen as very rough values only having information character; eventual pre-loads to be considered, coefficient of friction  $\mu_{total}$  0,12.

Application example

